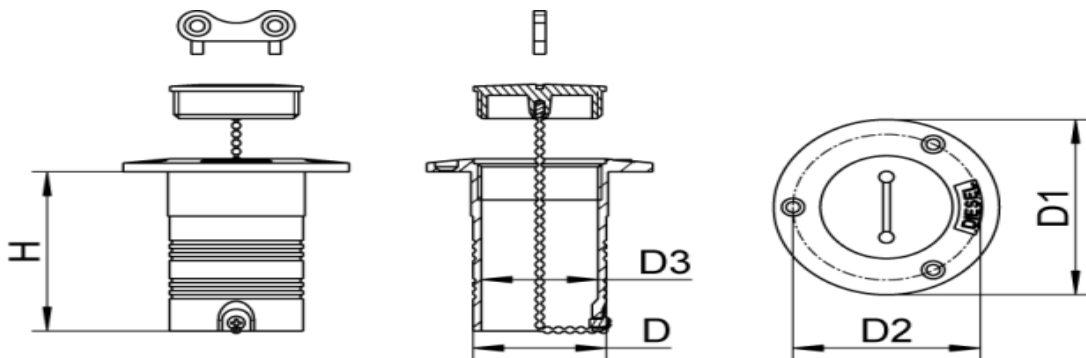


M8111

Tappi Imbarco, aisi 316 / A4

Deck fillers, aisi 316 / A4



| Codice Articolo<br><i>Item Number</i> | Tipo per<br><i>Type for</i> | D<br>(mm) | D1<br>(mm) | D2<br>(mm) | D3<br>(mm) | H<br>(mm) | Packing |               |
|---------------------------------------|-----------------------------|-----------|------------|------------|------------|-----------|---------|---------------|
|                                       |                             |           |            |            |            |           | Box     | Master carton |
| M8111-4-38W                           | Water                       | 38,5      | 75         | 60         | 34         | 78        | 1       | 12            |
| M8111-4-38D                           | Diesel                      | 38,5      | 75         | 60         | 34         | 78        | 1       | 12            |
| M8111-4-50W                           | Water                       | 51,5      | 87         | 72         | 45         | 79        | 1       | 12            |
| M8111-4-50D                           | Diesel                      | 51,5      | 87         | 72         | 45         | 79        | 1       | 12            |